

## Mobile industrial computer

**New brand of industrial PC MobiPC® is mobile industrial PC with embedded screen with touch panel, also available version with built-in keyboard. These MobiPC® PCs are especially dedicated to mobile vision systems and mobile measurement systems.**



- The smallest mobile industrial PC: 260 x 195 x 60 mm.
- Embedded screen LCD 8.9" with touch panel.
- Optional built-in keyboard.
- Modular construction with possible expansion with additional components.
- Possible installation of many HDDs, including SSD.
- May be used as mobile video recoder for high speed industrial cameras with recording to memory or hard drives without loss of any image frames.
- Available optional accessory devices: monitors, synchronizers, temperature recorders, signal recorders.

### Mobile products MobiPC® family

MobiPC® is a family of products that includes mobile industrial PCs, monitors and auxiliary devices especially used in mobile vision systems and mobile measuring systems.

The mobility of these devices has been ensured by the very small dimensions of the device housing, which in the case of MobiPC® Emi PC with built-in LCD screen and keyboard do not exceed 260 x 195 x 60 mm. And the weight of this PC does not exceed 2 kg. In addition, the housing is made of aluminum, so it is very durable and resistant to operation in different external conditions, and at the same time improves the cooling of electronics inside.

### MobiPC® unification

MobiPC® is a unified housing system for various devices. The MobiPC® Emi model is based on the base format with dimensions 260 x 195 mm. Different enclosure models with different heights are available for different types of devices.

A standard set of mounting holes allows you to connect PC enclosures with other auxiliary devices in one pile, making the whole device more handy when moving. This increases the mobility of the whole equipment. Some of the mounting holes allows you to mount additional accessories such as a support, wall bracket, mounting plates for cameras and illuminators and many others.

### Flexibility of MobiPC® configurations

The MobiPC® enclosures are prepared for the assembly of various PC components such as motherboards, HDD and SSD disks, LCD screens, touch panels, video interfaces, data acquisition boards, extension cards, keyboards, etc.. This is implemented using dedicated mounting frames and masking plates. Thanks to this, it is very easy to customize the configuration of equipment for specific user requirements.

The format of MobiPC® Emi enclosures allows to embed the LCD screen with a touch panel sized from 8.9 "to 10.1" and keyboard, which is an ideal solution for mobile video recording systems and mobile measurement systems.

### Available MobiPC® devices

The set of available MobiPC® devices includes the following products:

- Mobile industrial PCs MobiPC® Emi series.
- Industrial monitors MobiPC® Emi series.
- Vision systems based on MobiPC® Emi PCs including video recorders and synchronizers.
- Measurement systems based on MobiPC® Emi PCs including temperature and signal recorders.

## Technical Specifications

System	
CPU	Intel® Socket 1150 4-th gen Core™ i7/Core™ i5/Core™ i3/Pentium®/Celeron®
Memory	DDR3 2 x SO-DIMM, max. 16GB
Graphics card, screen	
Card type	Integrated, Intel HD
LCD display	Optional, LCD 8.9", 1024 x 600 pixels
Touch panel	Optional, resistive, single-touch
HDMI output	Max. resolution 4096 x 2160 @ 24 Hz / 2560 x 1600 @ 60 Hz
DisplayPort output	Max. resolution 4096 x 2160 @ 24 Hz / 3840 x 2160 @ 60 Hz
Sound card	
Card type	Integrated, Realtek® ALC887-VD 8-channel High Definition Audio Codec
Communication inputs/outputs	
Ethernet	2 x RJ45 GigabitEthernet, Intel® I217LM, Realtek® 8111G
USB 3.0	4 external ports, 2 internal ports
USB 2.0	2 external ports
COM	1 internal RS-232 port
Data storage	
System disk	1 x 64 or 128 GB, SSD, mini-SATA 6 Gb/s
Disks for data	Optionally, 2 x SSD or HDD, SATA 6 Gb/s, Raid 0,1,5,10
Power requirements	
Power requirements	DC 19 V
Power consumption	Min. 90 W
Environmental requirements	
Operating temp.	0°C to +40°C
Operating humidity	Relative humidity 10% to 90%
Case, dimensions and weight	
Case	Aluminium, IP30
Dimensions (LxWxH)	260 x 195 x 60 mm
Weight	Up to 2.0 kg
Standards, certificates	
Standards	TBD
Certificates	TBD
Supported operating systems	
Operating systems	Microsoft Windows® 7/8.1/10 Linux

## Ordering

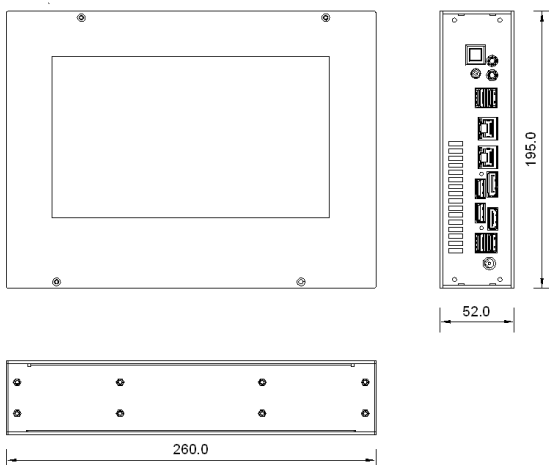
Available configurations	
EMI-STA087-CG1820T-STD	CPU Intel® Celeron® G1820TE, RAM 4GB, SSD 64 GB mini-SATA, without embedded display, without embedded keyboard, without operating system
EMI-STA087-PG3320T-STD	CPU Intel® Pentium® G3320TE, RAM 4GB, SSD 64 GB mini-SATA, without embedded display, without embedded keyboard, without operating system
EMI-STA087-I34340T-STD	CPU Intel® Core i3® 4340TE, RAM 8GB, SSD 128 GB mini-SATA, without embedded display, without embedded keyboard, without operating system
EMI-STA087-I54570T-STD	CPU Intel® Core i5® 4570TE, RAM 8GB, SSD 128 GB mini-SATA, without embedded display, without embedded keyboard, without operating system
EMI-STA087-I74770T-STD	CPU Intel® Core i7® 4770TE, RAM 16GB, SSD 128 GB mini-SATA, without embedded display, without embedded keyboard, without operating system

## Options

EMI-SCR-LCD089T	Embedded LCD display 8.9", 1024 x 600 pixels, with single-touch resistive touch panel
EMI-KBD-EMB	Embedded keyboard
EMI-KBD-EXT	External wireless keyboard with touchpad
EMI-PSP-DC19V120A	External power supply DC 19 V 120 W
EMI-RAM-D3A04T08	Optional RAM 8 GB instead of 4 GB
EMI-RAM-D3A04T16	Optional RAM 16 GB instead of 4 GB
EMI-RAM-D3A08T16	Optional RAM 16 GB instead of 8 GB
EMI-SSD-SYSA128G	Optional SSD system disk 128 GB instead of 64 GB
EMI-SSD-SATA256G	SSD disk 256 GB, SATA 6 Gb/s
EMI-SSD-SATA512G	SSD disk 512 GB, SATA 6 Gb/s
EMI-SSD-SATA001T	SSD disk 1 TB, SATA 6 Gb/s
EMI-HDD-SATA001T	HDD disk 1 TB, SATA 6 Gb/s
EMI-HDD-SATA002T	HDD disk 2 TB, SATA 6 Gb/s
EMI-HDD-SATA003T	HDD disk 3 TB, SATA 6 Gb/s
EMI-HDD-SATA004T	HDD disk 4 TB, SATA 6 Gb/s
EMI-HDD-SATA005T	HDD disk 5 TB, SATA 6 Gb/s
EMI-SFT-SYSWIN7P	Operating system Microsoft Windows® 7 Pro 64-bit
EMI-SFT-SYSWIN8P	Operating system Microsoft Windows® 8.1 Pro 64-bit
EMI-SFT-SYSWIN10P	Operating system Microsoft Windows® 10 Pro 64-bit
EMI-SFT-SYSLNXU18	Operating system Linux Ubuntu 18 64-bit
EMI-MNT-WMVESA	VESA wall mount
EMI-MNT-STAND	Table stand with adjustable tilt angle

## Dimensions

Version with a keyboard



Version without a keyboard

